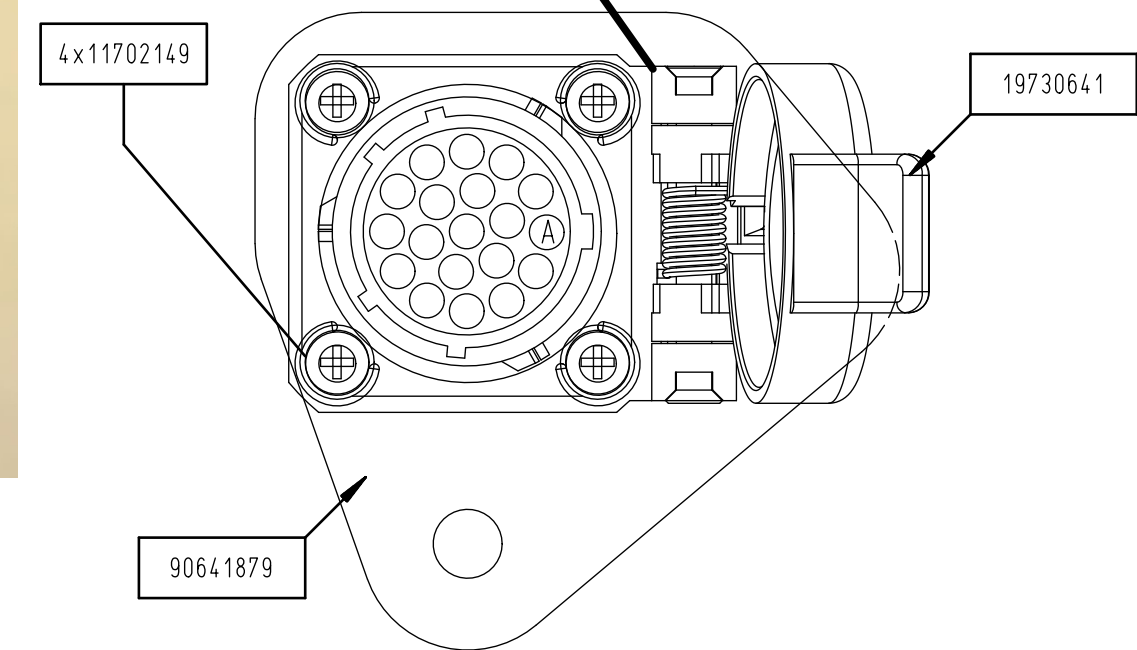


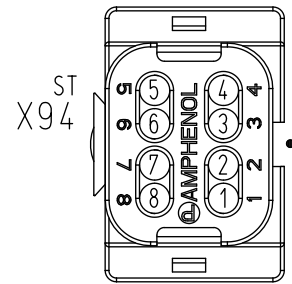
Position Label
Position of label



Klappdeckel mit den 4 Schrauben auf das Blech montieren
Mount snap cap with the 4 screws on the plate



Einbaulage Steckverbinder X63
Mounting orientation of connector X63



19730795
19730753

19721182	1	1.0	A3210	42	WH
19721182	2	1.0	A3210	43	WH
19721182	3	0.25	A4011	40	WH
19721182	4	0.25	A3104	40	WH
19721182	5	0.25	A3104	41	WH
19721182	6	0.25	A3104	42	WH
19721182	7	0.25	A3104	43	WH
19729532	8	—	—	—	—

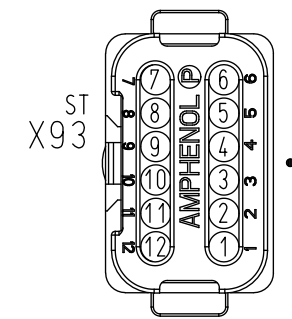
20

19730811

NW10
L: 40
25857426

1

Ltg A1701/40 und A1702/40
miteinander verdrehen
(ca. 5 Wdg. pro m)



19730803
19730761

19721182	1	0.25	A5702	40	WH
19721182	2	0.25	A1701	40	WH
19721182	3	0.25	A1702	40	WH
19721182	4	1.0	A1503	40	WH
19721182	5	1.0	A1503	41	WH
19721182	6	1.0	A3210	40	WH
19721182	7	1.0	A3210	41	WH
19721182	8	0.25	A4031	40	WH
19721182	9	1.0	A7230	40	WH
19721182	10	0.25	A4041	40	WH
19721182	11	1.0	A3102	65	WH
19721182	12	1.0	A3102	66	WH

20

19730829

1

90636895
90636911

1

Position QC-Label

NW17
L: 150
25857442

20

90524448

20

90535709

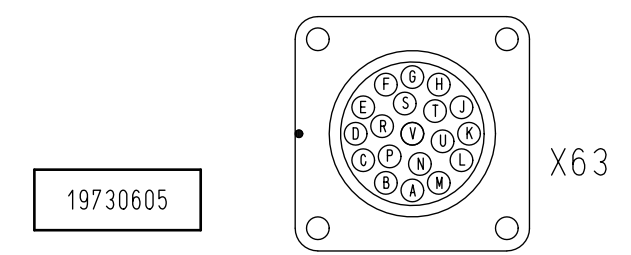
NW17
L: 200
25857400

1

90641374

5

WH	A5702	40	0.25	A	19721422
WH	A1701	40	0.25	B	19721422
WH	A1702	40	0.25	C	19721422
WH	A1503	40	1.0	D	19721422
WH	A1503	41	1.0	E	19721422
WH	A3210	40	1.0	F	19721422
WH	A3210	41	1.0	G	19721422
WH	A4031	40	0.75	H	19721422
WH	A7230	40	1.0	J	19721422
WH	A4041	40	0.75	K	19721422
WH	A3102	65	1.0	L	19721422
WH	A3102	66	1.0	M	19721422
WH	A3210	42	1.0	N	19721422
WH	A3210	43	1.0	P	19721422
WH	A4011	40	0.25	R	19721422
WH	A3104	40	0.25	S	19721422
WH	A3104	41	0.25	T	19721422
WH	A3104	42	0.25	U	19721422
WH	A3104	43	0.25	V	19721422



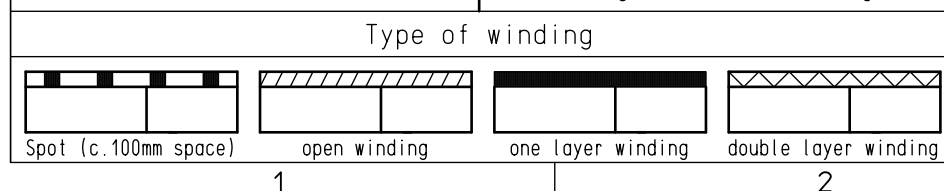
19730605

28030104

Kontakte des X63 mit Nyogel 7606 bestreichen
Coat contacts of X63 with Nyogel 7606

Toleranzen / tolerances	
0 - 100 mm	- 0/+10 mm
101 - 500 mm	-10/+10 mm
501 - 2000 mm	-10/+20 mm
> 2000 mm	-10/+30 mm
The tolerances are made for individual measurements and for the sum of several measurement	

All housings with internal length




1	4x	3861-00	03.01.18	DK	2017	Date	Name	Citymaster 1600	Name	Kabelbaum W40 (Steckdose X63)		 Hako GmbH D-23840 Bad Oldesloe	Drawing Number		
A2	No.	Number appears	Change No.	Date	Name	Standard	Change No.	3567-00	For this drawing we reserve all rights (acc. DIN ISO 16016)		KAB1 472		Type 1491	Dep. ELK	No. of Sh. 2

All parts have to be in conformity to IEC 60335-1/-2-72
All housings have to be labeled with device tags

W40

cutting list-No. : 97142814		cutting list Kabelbaum W40 (Steckdose X63)									
------------------------------------	--	---------------------------------------------------	--	--	--	--	--	--	--	--	--

wire	Sub	part-No. contact 1	part-No.comp.part	marking 1	wire	cr. sec.	length	colour	marking 2	part-No. contact 2	part-No.comp.part
A1503	40	19721182		X93/ST/4	26210245	1,0	475	WH	X63/D	19721422	
A1503	41	19721182		X93/ST/5	26210245	1,0	475	WH	X63/E	19721422	
A1701	40	19721182		X93/ST/2	26210310	0,75	475	WH	X63/B	19721422	
A1702	40	19721182		X93/ST/3	26210310	0,75	475	WH	X63/C	19721422	
A3102	65	19721182		X93/ST/11	26210245	1,0	475	WH	X63/L	19721422	
A3102	66	19721182		X93/ST/12	26210245	1,0	475	WH	X63/M	19721422	
A3104	40	19721182		X94/ST/4	26210310	0,75	495	WH	X63/S	19721422	
A3104	41	19721182		X94/ST/5	26210310	0,75	495	WH	X63/T	19721422	
A3104	42	19721182		X94/ST/6	26210310	0,75	495	WH	X63/U	19721422	
A3104	43	19721182		X94/ST/7	26210310	0,75	495	WH	X63/V	19721422	
A3210	40	19721182		X93/ST/6	26210245	1,0	475	WH	X63/F	19721422	
A3210	41	19721182		X93/ST/7	26210245	1,0	475	WH	X63/G	19721422	
A3210	42	19721182		X94/ST/1	26210245	1,0	495	WH	X63/N	19721422	
A3210	43	19721182		X94/ST/2	26210245	1,0	495	WH	X63/P	19721422	
A4011	40	19721182		X94/ST/3	26210310	0,75	495	WH	X63/R	19721422	
A4031	40	19721182		X93/ST/8	26210310	0,75	475	WH	X63/H	19721422	
A4041	40	19721182		X93/ST/10	26210310	0,75	475	WH	X63/K	19721422	
A5702	40	19721182		X93/ST/1	26210310	0,75	475	WH	X63/A	19721422	
A7230	40	19721182		X93/ST/9	26210245	1,0	475	WH	X63/J	19721422	

1	div. length	3861-00	03.01.18	DK	2018	date	name	Citymaster 1600	 Kabelbaum W40 (Steckdose X63)	type : 1491	97142814	num.ofsh.:2
	drawn				12.09.	DK	replaced by : same no.	sheets: 2				
	check						rev. No. : 3567-00					
No.	changed wire/Sub-No.	Rev.-No.	date	name								

Material: 97142814 wiring harness
 Index: 01
 Change Number: 3861-00

Material	Item	Line	Component	Object description	Material Description	Comp. Qty (CUn)	Un	Internal Comment
97142814	10	1	11702149	Schraube DIN 7500-PE M3x8-St A2B	screw	4	PC	
97142814	10	2						Hr. Beckmann
97142814	20	1	19721182	Stiftkontakt	pin contact	19	PC	
97142814	20	2						Compagnie Deutsch
97142814	20	3						0460-202-16141 (Einzelkontakt)
97142814	20	4						1060-16-0622 (Bandware)
97142814	30	1	19721422	BU-Kont. RT 1,6mm (0,75-1,5)	socket-cont. RT 1,6mm (0,75-1,5)	19	PC	
97142814	30	2						Fa. Amphenol Nr.SS16M1G10
97142814	40	1	19729532	Blindstopfen 114017	plug 114017	1	PC	
97142814	40	2						Fa.Deutsch Nr.114017
97142814	50	1	19730605	Gerätedose für Buchsenkontakt 19pol.	wall mounting receptacle housing 19-pole	1	PC	
97142814	50	2						Fa. Amphenol Nr.:RT001619SNH-Ni
97142814	60	1	19730641	Klappdeckel Größe 16	flap lid	1	PC	
97142814	60	2						Fa. Amphenol Nr. PT-SCC16
97142814	70	1	19730753	ST-Gehäuse 8-pol AT Series	male-housing 8-pole AT Series	1	PC	
97142814	70	2						Fa.Amphenol Nr.AT04-08PA-MM01
97142814	80	1	19730761	ST-Gehäuse 12-pol AT Series	male-housing 12-pole AT Series	1	PC	
97142814	80	2						Fa.Amphenol Nr.AT04-12PA-MM01
97142814	90	1	19730795	Arretierung AW8P für AT04-08PA	interlock AW8P for AT04-08PA	1	PC	
97142814	90	2						Fa.Amphenol Nr. AW8P
97142814	100	1	19730803	Arretierung AW12P für AT04-12PA	interlock AW12P for AT04-12PA	1	PC	
97142814	100	2						Fa.Amphenol Nr. AW12P
97142814	110	1	19730811	Schutzkappe 8-pol AT Series NW10/180°	protect. cap 8-pol AT Series NW10/180°	1	PC	
97142814	110	2						Fa.Amphenol Nr. ATBS8-8-NC12
97142814	120	1	19730829	Schutzkappe 12-pol AT Series NW13/180°	protect. cap 12-pol AT Series NW13/180°	1	PC	
97142814	120	2						Fa.Amphenol Nr.ATBS8-12-NC16
97142814	130	1	25857400	Wellschlauch NW17 PPmod UFW ungeschl.	Corrugated tube NW17 PPmod UFW unslit	0,2	M	
97142814	130	2						Fa. Schlemmer Nr. 1949217
97142814	140	1	25857426	Wellschlauch NW10 PPmod UFW geschlitzt	Corrugated tube NW10 PPmod UFW slit	0,04	M	
97142814	140	2						Fa. Schlemmer Nr. 1949310
97142814	150	1	25857442	Wellschlauch NW17 PPmod UFW geschlitzt	Corrugated tube NW17 PPmod UFW slit	0,15	M	
97142814	150	2						Fa. Schlemmer Nr. 1949317
97142814	160	1	26210245	PVC-Fahrzeugleitung FLRY-B 1x1 weiss	PVC-automotive cable FLRY-B 1x1 white	4,32	M	
97142814	160	2						Fa. NKT Art.: AP040010BNNNNAN
97142814	160	3						
97142814	160	4						DIN 72551 / ISO6722 FLRY-B
97142814	170	1	26210310	PVC-Fahrzeugleitung FLRY-B 1x0,75 weiss	PVC-automotive cable FLRY-B 1x0,75 white	4,85	M	
97142814	170	2						Fa. NKT Art.: AP040007BNNNNAN
97142814	170	3						
97142814	170	4						DIN 72551 / ISO6722 FLRY-B
97142814	180	1	28030104	Schmierfett NYOGEL 760G	grease NYOGEL 760G	0,01	PCD	
97142814	180	2						Fa. Nye Lubricants, Inc Nr. NYOGEL 760G

Material: 97142814 wiring harness

Index: 01

Change Number: 3861-00

Material	Item	Line	Component	Object description	Material Description	Comp. Qty (CUn)	Un	Internal Comment
97142814	190	1	90524448	Y-Verteiler 17-17-10		1	PC	
97142814	190	2						Fa. Schlemmer Nr. 9817309
97142814	200	1	90535709	T-Verteiler 17-10-17	T-Manifold 17-10-17	1	PC	
97142814	200	2						Fa.Schlemmer Nr.9806136
97142814	210	1	90636895	Einlegereduzierung 13-10	Reducer 13-10	1	PC	
97142814	210	2						Fa. Schlemmer Nr. 7807280
97142814	210	3						
97142814	220	1	90636911	Einlegereduzierung 17-13	reducer 17-13	1	PC	
97142814	220	2						Fa. Schlemmer Nr. 7807283
97142814	220	3						
97142814	230	1	90641374	Wellrohrarmatur NW17	connection piece	1	PC	
97142814	240	1	90641879	Lasche	FW 90641879 Lasche	1	PC	